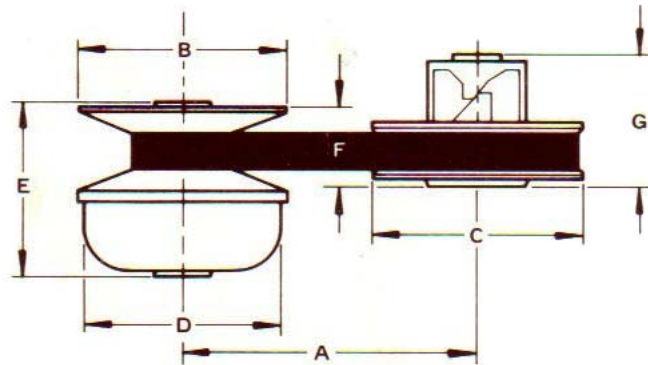


* NOTE: MAXIMUM BORE SIZE: SPEED SENSING — 1 1/4" TORQUE SENSING — 1" STR = STRAIGHT BORE

Comet 300634 C to C
9 5/8"

How It's Sized:



DIMENSIONS (in inches)

MODEL NO.	TYPE (1)	A		B	C	D	E	F	G
		MIN (2)	MAX (2)						
330	TS	7	13	4.5	6.06	5.16	3.31	1.22	3.12
500	SS	7	14.26	5.38	7.46	6.21	4.5	1.82	3.82
700	SS TS	10.25	13	7.22	9.84	6.21	4.79	1.82	3.82 4.14
770, 775 770	SS TS	9.28 9.42	17.18	7.22	9.84	6.21	4.79	2 2.14	3.99 4.32
780	TS	9.5	17.95	7.22	9.26	6.21	4.79	2.1	4.32
790, 795 790	SS TS	9.12	18.36	7.22	8.46	6.21	4.79	2.04	4.01 4.5
910	TS	10.18	12.50	7.7	9.84	7.10	5.54	2.26	4.56
1190 1195	TS SS	10.18	16.5	8	9.84	8.3	5.91	2.45	4.66 4.10

(1) TORQUE SENSITIVE OR SPEED SENSITIVE.

(2) AVAILABLE AS STANDARD WITH OPTIONAL SIZES BETWEEN MAX.