



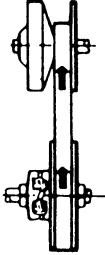
358 NW F Street • Richmond, IN 47374-2297
 (765) 966-8161 • Fax: (765) 935-2346
 http://www.hoffcocomet.com

162075 991 PRINTED U.S.A.

RECOMMENDED BELT SPECIFICATIONS


**COMET'S
ASYMMETRIC SYSTEMS**

Drawings Show Correct Alignment of Asymmetric System with Engine At Idle.



Series Type: Top Width:
 CAT 99 5/8"
 30 3/4"

Belt Cross Section Top Width



18° 2-1/2°
 20-1/2° Collective

Always run 2-1/2° side nearest to engine - this nearly "flat" side must be mated to like-appearing pulley-half.

CAT 99 — ASYMMETRIC

30 SERIES — ASYMMETRIC

CAT 99 Series • 5/8" Top Width • 20-1/2° Asymmetric (18° + 2-1/2°)* • .40 Thick • Kevlar Type					
COMET Order No.	COMET NO. Marked Belt	C.D. SETTING		Belt O.C.	Fractional Equiv.
		6" Dia. Driven	7" Dia. Driven		
200393A	993-70	6-15/16 - 7	No Fit	27.36	27-23/64
200394A	993-75	7-1/8 - 7-3/16	6-1/4 - 6-5/16	28.32	28-21/64
200395A	993-80	7-9/16 - 7-5/8	6-13/16 - 6-7/8	29.28	29-9/32
200396A	993-85	8-3/16 - 8-1/4	7-5/16 - 7-3/8	30.25	30-1/4
200397A	993-90	8-11/16 - 8-3/4	7-3/4 - 7-13/16	31.23	31-15/64
200398A	993-95	9-3/16 - 9-1/4	8-5/16 - 8-3/8	32.20	32-13/64
200399A	993-100	9-5/8 - 9-11/16	8-3/4 - 8-13/16	33.18	33-11/64
202675A	993-110	10-3/4 - 10-13/16	9-13/16 - 9-7/8	35.14	35-9/64
202944A	993-120	11-11/16 - 11-3/4	10-15/16 - 11	37.11	37-7/64
202682A	993-130	13-1/16 - 13-1/8	12-1/8 - 12-3/16	39.77	39-25/32

* Always run the 2-1/2° side nearest the engine (the 2-1/2° side appears nearly flat and must be mated to the like appearing sheave half).

30 Series • 3/4" Top Width • 20-1/2° Asymmetric (18° + 2-1/2°)* (30C & 35C/31D-6" & 31D-7") • .40 Thick • Kevlar Type					
COMET Order No.	COMET NO. Marked Belt	C.D. SETTING		Belt O.C.	Fractional Equiv.
		6" Dia. Driven	7" Dia. Driven		
203589A	994-70	6-15/16 - 7	No Fit	27.36	27-23/64
203590A	994-75	7-1/8 - 7-3/16	6-1/4 - 6-5/16	28.32	28-21/64
203591A	994-80	7-9/16 - 7-5/8	6-13/16 - 6-7/8	29.28	29-9/32
203592A	994-85	8-3/16 - 8-1/4	7-5/16 - 7-3/8	30.25	30-1/4
203593A	994-90	8-11/16 - 8-3/4	7-3/4 - 7-13/16	31.23	31-15/64
203594A	994-95	9-3/16 - 9-1/4	8-5/16 - 8-3/8	32.20	32-13/64
203595A	994-100	9-5/8 - 9-11/16	8-3/4 - 8-13/16	33.18	33-11/64
203596A	994-105	9-15/16 - 10	9-3/16 - 9-1/4	33.78	33-25/32
203597A	994-110	10-3/4 - 10-13/16	9-13/16 - 9-7/8	35.14	35-9/64
203598A	994-120	11-11/16 - 11-3/4	10-15/16 - 11	37.11	37-7/64
203599A	994-130	13-1/16 - 13-1/8	12-1/8 - 12-3/16	39.77	39-25/32

* Always run the 2-1/2° side nearest the engine (the 2-1/2° side appears nearly flat and must be mated to the like appearing sheave half).

See other side for Symmetric Systems

RECOMMENDED BELT SPECIFICATIONS

COMET'S SYMMETRIC SYSTEMS


Series Type: Top Width:

TC88 5/8"

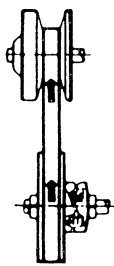
20 3/4"

40 7/8"

Belt Cross Section
Top Width



15° 15°
30° Collective



Drawings
Show
Correct
Alignment
of
Symmetric
System
with
Engine
At Idle.

20 SERIES — SYMMETRIC

20 Series • 3/4" Top Width • 30° Symmetric (15° + 15°)* (20C & 25C/21D-6" & 21D-7") • .40 Thick • Kevlar Type					
COMET Order No.	COMET NO. Marked Belt	C.D. SETTING		Belt O.C.	Fractional Equiv.
		6" Dia. Driven	7" Dia. Driven		
203578A	884-70	6-15/16 - 7	No Fit	27.36	27-23/64
203579A	884-75	7-1/8 - 7-3/16	6-1/4 - 6-5/16	28.32	28-21/64
203580A	884-80	7-9/16 - 7-5/8	6-13/16 - 6-7/8	29.28	29-9/32
203581A	884-85*	8-3/16 - 8-1/4	7-5/16 - 7-3/8	30.25	30-1/4
203582A	884-90	8-11/16 - 8-3/4	7-3/4 - 7-13/16	31.23	31-15/64
203583A	884-95	9-3/16 - 9-1/4	8-5/16 - 8-3/8	32.20	32-13/64
203584A	884-100	9-5/8 - 9-11/16	8-3/4 - 8-13/16	33.18	33-11/64
203585A	884-105	9-15/16 - 10	9-3/16 - 9-1/4	33.78	33-25/32
203586A	884-110	10-3/4 - 10-13/16	9-13/16 - 9-7/8	35.14	35-9/64
203587A	884-120	11-11/16 - 11-3/4	10-15/16 - 11	37.11	37-7/64
203588A	884-130	13-1/16 - 13-1/8	12-1/8 - 12-3/16	39.77	39-25/32

* Belt sometimes found marked as 9805-3603

TC88 SERIES — SYMMETRIC

TC88 Series • 5/8" Top Width • 30° Symmetric (15° + 15°) • .40 Thick • Kevlar Type					
COMET Order No.	COMET NO. Marked Belt	C.D. SETTING		Belt O.C.	Fractional Equiv.
		6" Dia. Driven	7" Dia. Driven		
200419A	883-70	6-15/16 - 7	No Fit	27.36	27-23/64
200420A	883-75	7-1/8 - 7-3/16	6-1/4 - 6-5/16	28.32	28-21/64
200421A	883-80	7-9/16 - 7-5/8	6-13/16 - 6-7/8	29.28	29-9/32
200422A	883-85	8-3/16 - 8-1/4	7-5/16 - 7-3/8	30.25	30-1/4
200423A	883-90	8-11/16 - 8-3/4	7-3/4 - 7-13/16	31.23	31-15/64
200424A	883-95	9-3/16 - 9-1/4	8-5/16 - 8-3/8	32.20	32-13/64
200425A	883-100	9-5/8 - 9-11/16	8-3/4 - 8-13/16	33.18	33-11/64
203282A	883-105	9-15/16 - 10	9-3/16 - 9-1/4	33.78	33-25/32
202683A	883-110	10-3/4 - 10-13/16	9-13/16 - 9-7/8	35.14	35-9/64
202943A	883-120	11-11/16 - 11-3/4	10-15/16 - 11	37.11	37-7/64
200426A	883-130	13-1/16 - 13-1/8	12-1/8 - 12-3/16	39.77	39-25/32

MODEL 500 DRIVER/500 & 858 DRIVEN RECOMMENDED BELT SPECIFICATIONS

COMET ORDER NO.	500 SERIES C.D. SETTINGS	858 SERIES C.D. SETTINGS	BELT O.C.
300619A	7"		30.40
300620A	8"		32.29
300621A	8 1/2"	7 1/2"	33.24
300622A	9 1/2"	8 1/2"	35.16
300667A	10"	9"	36.13
300668A	15"	14"	45.91

40/44 SERIES — SYMMETRIC

40 Series • 7/8" Top Width • 30° Symmetric (15° + 15°) • .45 Thick • Kevlar Type					
COMET Order No.	COMET No. Marked Belt	C.D. SETTING		Belt O.C.	Fractional Equiv.
		40 C.D. Setting	44 C.D. Setting		
203783A	40-75	7-1/4"		31.950	31-61/64
203784A	40-80	7-7/8"		32.900	32-29/32
203785A	40-85	8-3/16"		33.870	33-7/8
203786A	40-90	8-5/8"	7-5/8"	34.830	34-27/32
203787A	40-95	9-3/8"	8-3/16"	35.800	35-51/64
203788A	40-100	9-3/4"	8-11/16"	36.780	36-25/32
203792A	40-105	10-1/8"	9-3/16"	37.750	37-3/4
203789A	40-110	10-1/2"	9-5/8"	38.650	38-21/32
203790A	40-120	11-1/2"	10-9/16"	40.500	40-1/2
203791A	40-130	12-5/8"	11-11/16"	42.660	42-21/32
204331A	40-140	13-3/4"	12-5/8"	44.530	44-17/32

See other side for Asymmetric Systems